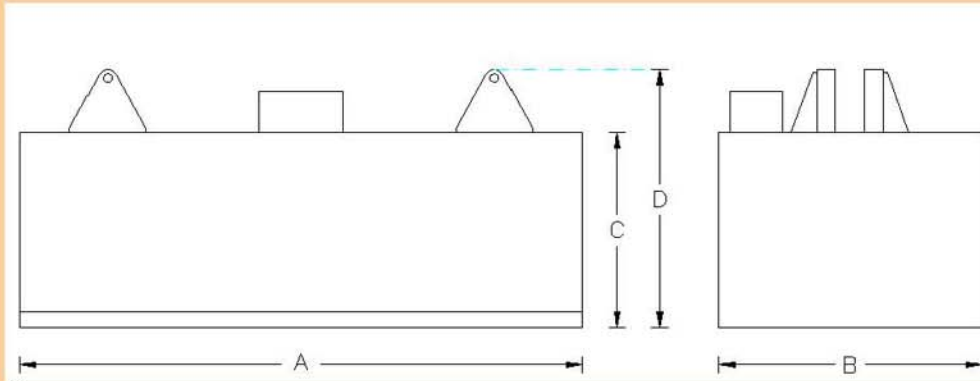


**RECTANGULAR LIFTING MAGNETS 220 VOLTS D.C.**



<b>18" (450mm) SERIES/ COPPER WOUND/ 220V D.C./ 50% DUTY CYCLE</b>										
Ref.	Dimension "A" mm	Dimension "B" mm	Dimension "C" mm	Dimension "D" mm	KW at 20°C	Current Cold Amps.	Current Hot Amps.	Weight Kg	Pole Length mm	Pole Shoe Length mm
EZ3018	760	470	270	317	1.4	6.36	4.24	483	432	698
EZ4018	1020	470	270	317	1.76	8	5.3	586	686	952
EZ4818	1220	470	270	317	2.09	9.13	6.08	682	889	1155
EZ5518	1400	470	270	317	2.31	10.5	7	845	1067	1333
<b>18" (450mm) SERIES/ ALUMINIUM WOUND/ 220V D.C./ 75% DUTY CYCLE</b>										
Ref.	Dimension "A" mm	Dimension "B" mm	Dimension "C" mm	Dimension "D" mm	KW at 20°C	Current Cold Amps.	Current Hot Amps.	Weight Kg	Pole Length mm	Pole Shoe Length mm
EZ3018	760	470	270	317	1.4	6.36	4.24	450	432	698
EZ4018	1020	470	270	317	3	13.63	9	500	686	952
EZ4818	1220	470	270	317	3	13.63	9	609	889	1155
EZ5518	1400	470	270	317	4	18.18	12	761	1067	1333
EZ7618	1950	470	280	355	5	22.7	15	1057	1600	1867
EZ8418	2140	470	280	355	5	22.7	15	1311	1778	2070
<b>24" (600mm) SERIES/ ALUMINIUM WOUND/ 220V D.C./ 75% DUTY CYCLE</b>										
Ref.	Dimension "A" mm	Dimension "B" mm	Dimension "C" mm	Dimension "D" mm	KW at 20°C	Current Cold Amps.	Current Hot Amps.	Weight Kg	Pole Length mm	Pole Shoe Length mm
EZ3624	915	610	370	451	5	22.7	15	1075	584	851
EZ4024	1020	610	370	432	5	22.7	15	1086	686	952
EZ4824	1220	610	370	432	5	22.7	15	1091	762	1155
EZ5224	1320	610	370	432	6	27.2	18	1182	914	1257
EZ5624	1420	610	370	432	7.5	34	22.7	1264	1016	1359
EZ6024	1520	610	370	432	7.5	34	22.7	1341	1117	1460
EZ7624	1930	610	370	432	8	36.36	26.3	1886	1524	1867
EZ8424	2140	610	370	432	9	40.9	30	2037	1727	2070
EZ8624	2190	610	370	432	10	45.4	30	2108	1829	2121
EZ9824	2490	610	370	432	10	45.4	30	2406	2083	2426
EZ10824	2745	610	370	432	10	45.4	30	2652	2337	2680